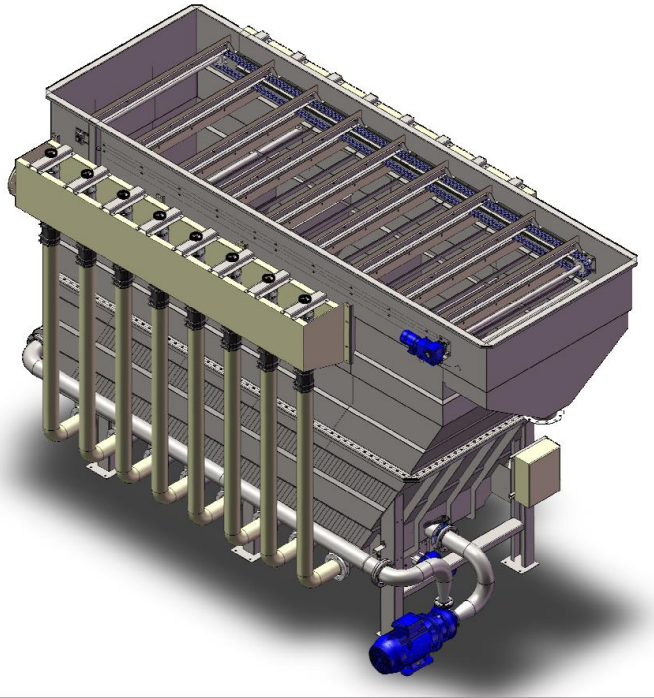


Product Information Sheet



FLOW RATE

GAMMA 225	:	225 m ³ /hr	991 usgpm
GAMMA 300	:	300 m ³ /hr	1321 usgpm
GAMMA 375	:	375 m ³ /hr	1651 usgpm
GAMMA 450	:	450 m ³ /hr	1981 usgpm
GAMMA 550	:	550 m ³ /hr	2422 usgpm
GAMMA 650	:	650 m ³ /hr	2862 usgpm

DIMENSIONS (L x W x H)

GAMMA 225	:	5500mm x 3200mm x 4270mm	216.5 in. x 126 in. x 168.1 in.
GAMMA 300	:	6480mm x 3200mm x 4270mm	255.1 in. x 126 in. x 168.1 in.
GAMMA 375	:	6500mm x 3700mm x 4370mm	255.9 in. x 145.7 in. x 172 in.
GAMMA 450	:	6500mm x 4200mm x 4470mm	255.9 in. x 165.4 in. x 176 in.
GAMMA 550	:	8200mm x 4000mm x 4450mm	322.8 in. x 157.5 in. x 175.2 in.
GAMMA 650	:	8200mm x 5000mm x 4600mm	322.8 in. x 196.9 in. x 181.1 in.

CONSTRUCTION DETAILS

Skimmer and Auger Drive Model	:	NORD
Auger Drive Model	:	NORD
Recycle Pump	:	Goulds or equal
Bottom Valve	:	Keystone or equal
Stairs and Sidewalk (Optional)	:	L-Shape, 800 mm width

Product Information Sheet

ELECTRICAL AND CONTROLS

Power Supply	: 230V, 480V or 575V, 3 phase, 60 Hz
Recirculation Pump	: 1 duty, standby optional
Pneumatic Panel	: 24 VDC
Local Control Panel	: Optional

MATERIAL OF CONSTRUCTION

DAF Tank	: 304 SS, optional 316 SS
Static Sludge Thickener	: 304 SS, optional 316 SS
Skimmer System	: SS with fiberglass blades
Chain	: Plastic
Chain Wheel	: Plastic
Recirculation Pump	: AISI 316 SS
Auger	: 304 SS, optional 316 SS
DAF Cover (Optional)	: Plastic or SS
Lifting Lugs	: 304 SS
Dissolved Air Make Up System	: 304, optional 316 SS
Aeration Valves	: Stainless steel
Pneumatic Panel	: Powder Coated steel
Bottom Valve (Butterfly)	: Body cast iron GGG-50, disc 316 SS, seal EPDM
Stairs and Sidewalk (Optional)	: Galvanized steel or fiberglass

Note: Unit is shipped in two sections. A top section consisting of the skimmer mechanism will need to be field mounted on top of the bottom section. A crane or lifting arrangement (by others) will be required.

Contact H2FLOW:

USA: (312) 789-4851

CANADA: TORONTO: (905) 660-9775
MONTREAL: (514) 228-3327
VANCOUVER: (604) 908-7398

Toll free from anywhere in North America: 1-888-575-8642

Email: info@h2flow.com

www.h2flowDAF.com