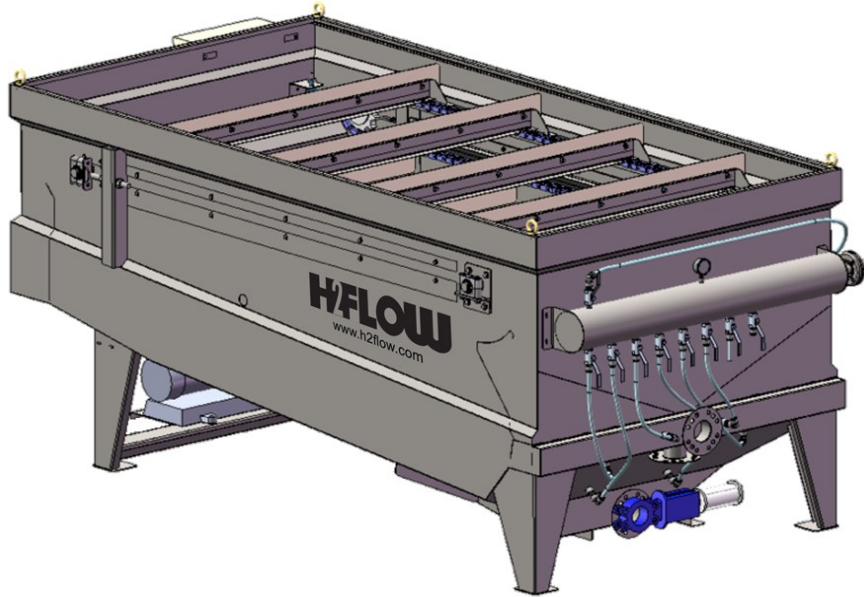


**Product Information Sheet**



**GENERAL INFORMATION**

<b>Type</b>	: Dissolved Air Flotation
<b>Model</b>	: PWL 225

**DESIGN DETAILS**

<b>Hydraulic Capacity (maximum)</b>	: 225 m <sup>3</sup> /hr	990 usgpm
<b>Overflow Rate</b>	: 4 m <sup>3</sup> /m <sup>2</sup> /hr	1.6 usgpm/ft <sup>2</sup>
<b>Recirculation Flow</b>	: 45 m <sup>3</sup> /hr (6 bar)	198 usgpm, 87 psi
<b>Free Surface Area</b>	: 50 m <sup>2</sup>	538 ft <sup>2</sup>

**CONSTRUCTION DETAILS**

<b>Unit Length</b>	: 14732 mm	580"
<b>Unit Width</b>	: 4240 mm	166 7/8"
<b>Unit Height</b>	: 2340 mm	92 1/8"
<b>Inlet</b>	: DIN 250 mm	10" ANSI
<b>Float Discharge</b>	: DIN 200 mm	8" ANSI
<b>Outlet</b>	: DIN 300 mm	12" ANSI
<b>Bottom Sludge</b>	: DIN 150 mm	6" ANSI
<b>Weight Empty</b>	: 6,000 kgs	13,228 lbs
<b>Weight Full</b>	: 60,000 kgs	132,277 lbs
<b>Skimmer Drive Make</b>	: NORD	
<b>Bottom Auger Drive Make</b>	: NORD	
<b>Recycle pump</b>	: Centrifugal pump	
<b>Bottom Valve</b>	: Keystone or equal	

## Product Information Sheet

### ELECTRICAL AND CONTROL

<b>Power Supply</b>	: 480V or 575V, 3 phase, 60 Hz	
<b>Control Voltage</b>	: 24 VDC	
<b>Skimmer Drives (2 qty.)</b>	: 0.56 kW each	0.75 HP each
<b>Bottom Auger</b>	: 0.37 kW	0.5 HP
<b>Recirculation Pump</b>	: 15 kW	20 HP
<b>Air Consumption</b>	: 25.4 l/min, 7 bar	1 – 2 scfm, 100 psi
<b>Pneumatic Panel</b>	: 24 VDC	
<b>Local Control Panel</b>	: Optional	

### MATERIAL OF CONSTRUCTION

<b>DAF Tank</b>	: 304 SS, optional 316 SS
<b>Static Sludge Thickener</b>	: 304 SS, optional 316 SS
<b>Skimmer System</b>	: SS with fiberglass blades
<b>Chain</b>	: Plastic
<b>Chain Wheel</b>	: Plastic
<b>Bottom Auger</b>	: 304 SS, optional 316 SS
<b>Recirculation Pump</b>	: Stainless steel with SS shaft and impeller
<b>DAF Cover (Optional)</b>	: Plastic or SS
<b>Lifting Lugs</b>	: 304 SS
<b>Dissolved Air Make Up System</b>	: 304 SS, optional 316 SS
<b>Aeration Valves</b>	: Stainless steel
<b>Pneumatic Panel</b>	: Fiberglass
<b>Bottom Valve (Butterfly)</b>	: Body cast iron GGG-50, disc 316 SS, seal EPDM
<b>Stairs and Sidewalk (Optional)</b>	: Galvanized steel or fiberglass

Contact us: 1(888) 575-8642

**H2Flow Equipment Inc.**  
580 Oster Lane  
VAUGHAN, ONTARIO L4K 2C1 CANADA  
TEL (905) 660-9775 / FAX (905) 660-9744  
Email: [info@h2flow.com](mailto:info@h2flow.com)  
[www.h2flowDAF.com](http://www.h2flowDAF.com)

**H2Flow Equipment Inc.**  
5450 Bordeaux, Suite 202  
MONTRÉAL, QUÉBEC H2H 2A8 CANADA  
TÉL (514) 228-3327