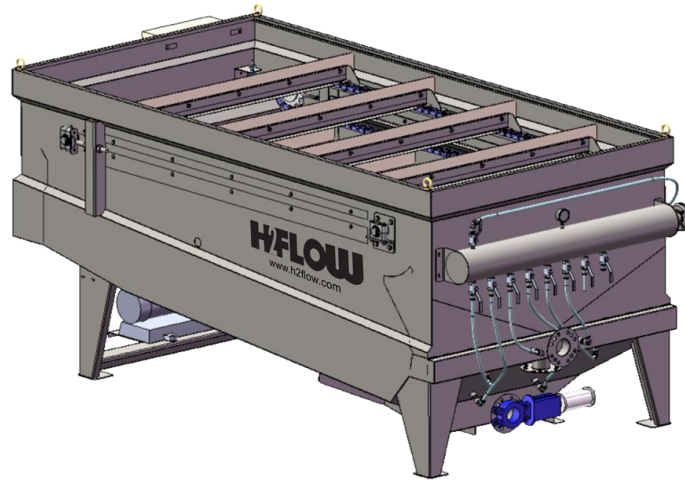


## Product Information Sheet



### FLOW RATE

ALPHA 5	:	5 m <sup>3</sup> /hr	22 usgpm
ALPHA 10	:	10 m <sup>3</sup> /hr	44 usgpm
ALPHA 15	:	15 m <sup>3</sup> /hr	66 usgpm
ALPHA 20	:	20 m <sup>3</sup> /hr	88 usgpm
ALPHA 30	:	30 m <sup>3</sup> /hr	132 usgpm
ALPHA 40	:	40 m <sup>3</sup> /hr	176 usgpm
ALPHA 50	:	50 m <sup>3</sup> /hr	220 usgpm
ALPHA 60	:	60 m <sup>3</sup> /hr	264 usgpm
ALPHA 70	:	70 m <sup>3</sup> /hr	308 usgpm
ALPHA 80	:	80 m <sup>3</sup> /hr	352 usgpm
ALPHA 100	:	100 m <sup>3</sup> /hr	440 usgpm
ALPHA 120	:	120 m <sup>3</sup> /hr	528 usgpm
ALPHA 140	:	140 m <sup>3</sup> /hr	616 usgpm
ALPHA 160	:	160 m <sup>3</sup> /hr	704 usgpm
ALPHA 180	:	180 m <sup>3</sup> /hr	793 usgpm

### DIMENSIONS (L x W x H)

ALPHA 5	:	2475mm x 1320mm x 1560mm	97.4 in. x 52 in. x 61.4 in.
ALPHA 10	:	3475mm x 1320mm x 1560mm	136.8 in. x 52 in. x 61.4 in.
ALPHA 15	:	3475mm x 1820mm x 1600mm	136.8 in. x 71.6 in. x 63 in.
ALPHA 20	:	4380mm x 1820mm x 1600mm	172.4 in. x 71.6 in. x 63 in.
ALPHA 30	:	5380mm x 2070mm x 1700mm	211.8 in. x 81.5 in. x 66.9 in.
ALPHA 40	:	6220mm x 2320mm x 2050mm	244.8 in. x 91.3 in. x 80.7 in.
ALPHA 50	:	7330mm x 2320mm x 2200mm	288.6 in. x 91.3 in. x 86.6 in.
ALPHA 60	:	8830mm x 2320mm x 2400mm	347.6 in. x 91.3 in. x 94.5 in.
ALPHA 70	:	9830mm x 2320mm x 2400mm	387 in. x 91.3 in. x 94.5 in.
ALPHA 80	:	11220mm x 2320mm x 2400mm	442 in. x 91.3 in. x 94.5 in.
ALPHA 100	:	11220mm x 2820mm x 2400mm	442 in. x 111 in. x 94.5 in.

## Product Information Sheet

<b>ALPHA 120</b>	:	13220mm x 2820mm x 2400mm	520 in. x 111 in. x 94.5 in.
<b>ALPHA 140</b>	:	12760mm x 3400mm x 2400mm	503 in. x 134 in. x 94.5 in.
<b>ALPHA 160</b>	:	14250mm x 3400mm x 2400mm	561 in. x 134 in. x 94.5 in.
<b>ALPHA 180</b>	:	14250mm x 3820mm x 2400mm	561 in. x 151 in. x 94.5 in.

### CONSTRUCTION DETAILS

<b>Skimmer Drive Model</b>	:	NORD or equivalent
<b>Auger Drive Model</b>	:	NORD or equivalent
<b>Recycle pump</b>	:	Regenerative turbine or centrifugal pump
<b>Bottom Valve</b>	:	Keystone or equal
<b>Stairs and Sidewalk (Optional)</b>	:	L-Shape, 800 mm width

### ELECTRICAL AND CONTROLS

<b>Power Supply</b>	:	230V, 480V or 575V, 3 phase, 60 Hz
<b>Recirculation Pump</b>	:	1 duty, standby optional
<b>Pneumatic Panel</b>	:	24 VDC
<b>Local Control Panel</b>	:	Optional

### MATERIALS OF CONSTRUCTION

<b>DAF Tank</b>	:	304 SS, optional 316 SS
<b>Static Sludge Thickener</b>	:	304 SS, optional 316 SS
<b>Skimmer System</b>	:	SS with fiberglass blades
<b>Chain</b>	:	Plastic
<b>Chain Wheel</b>	:	Plastic
<b>Recirculation Pump</b>	:	Stainless steel with SS shaft and impeller
<b>DAF Cover (Optional)</b>	:	Plastic or SS
<b>Lifting Lugs</b>	:	304 SS
<b>Dissolved Air Make Up System</b>	:	304 SS, optional 316 SS
<b>Aeration Valves</b>	:	Stainless steel
<b>Pneumatic Panel</b>	:	Fiberglass
<b>Bottom Valve (Butterfly)</b>	:	Body cast iron GGG-50, disc 316 SS, seal EPDM
<b>Stairs and Sidewalk (Optional)</b>	:	Galvanized Steel or fiberglass

Contact H2FLOW:

USA: (312) 789-4851

CANADA: TORONTO: (905) 660-9775

MONTREAL: (514) 228-3327

VANCOUVER: (604) 908-7398

Toll free from anywhere in North America: 1-888-575-8642

Email: [info@h2flow.com](mailto:info@h2flow.com)

[www.h2flowDAF.com](http://www.h2flowDAF.com)